

NEWSLETTER



ELECTRONICS & COMMUNICATION ENGINEERING

VOLUME-09
ISSUE-01



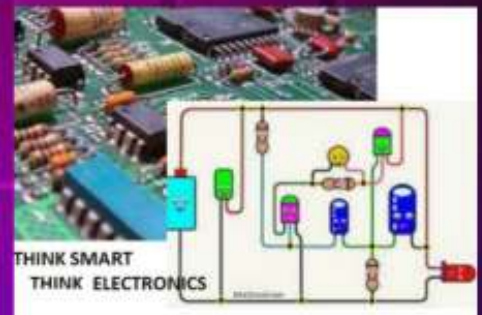
2019-2020

Electra 2019-20

Department of Electronics and Communication

About us

The Department of Electronics and Communication Engineering was established in the year 2001 and since then, the department has been offering full time B.E degree programme. Electronics department has been continuously striving to get updated with the latest trends in the fast-growing technological revolution and the highly skilled and experienced staff along with innovative and motivated students is the backbone behind this. Workshops and symposiums are organized every year to enrich the knowledge of the students. ME VLSI Design Programmed was commenced in 2011 with an intake of 18 students, to specially focus on research and development.



Department Vision and Mission

Vision

- ❖ To be a top-class technical hub in imparting knowledge in cutting edge areas of Electronics and Communication Engineering, providing pleasant learning environment, nurturing scholars of excellent proficiency to meet the global and socio-economic challenges of the country.

Mission

- ❖ To provide remarkable teaching and research environment through state-of-the-art facilities.
- ❖ To strengthen the soft as well as hard skills of students to achieve technical and academic excellence.
- ❖ To raise the students to become responsible citizens with good human values and encourage them to work for the well-being of society.
- ❖ To develop the skills of lifelong learning and professional growth of students through utilization of the high-standard infrastructure facilities.



Er. A MOHAMED YUNUS, B.E., M.Sc., Engg.
Chairman
M.I.E.T. Institutions

CHAIRMAN's MESSAGE

Being in the current world is not a hasty track, the responsibility of creating a high-quality educational institution is challenging and embellished with a host of initiatives which validate them over an extended time span. Moreover, in a world where time and space are compacted, there is a massive defy for success which necessitates knowledge, which is current, pertinent and based on real experience. In this situation, the education plays a paramount role in moulding, shaping and preparing youngsters to face the challenges of the future world. The Faculty with an outstanding academic background and sound conceptual knowledge of contemporary engineering studies and practices ably complete the process of converting the budding students into employable technocrats. Moreover, M.I.E.T strives hard to sensitize its students to the needs of the community and inculcate values like truthfulness, fortitude and acceptance of individual differences. That this whole process is completed keeping in mind the College Vision, Mission and Quality policy is an achievement that the Faculty takes pride.



Dr. A NAVEEN SAIT, M.E., Ph.D
Principal
M.I.E.T. Engineering College

PRINCIPAL's MESSAGE

As the Principal of our esteemed college, I am immensely proud of all of you. You all have been inspiring us with your hard work and dedication, and have made us proud with your many achievements over the years. As we look ahead to the future, I urge you to continue to strive for excellence and to never give up on your dreams. I am very happy with the progress the college has made by imbuing in its student's value-based education synergized with modern teaching-learning methods to produce a generation of well informed and emotionally sound generation. I am positive that in times to come we will continue this journey with elevated enthusiasm and persistently provide a platform of holistic learning to the young generation of learners. Our students graduate with the skills, mind sets and qualities that will best equip them for success. Come on let's give our best and make this institution a modern temple of learning through our diligence, devotion and dedication. Wishing you all the best...! in the world of the future. They are the future leaders and role models of society.

Students participation in in-plant training/conferences/workshops

- M.S.Safa Almaz, third year student has won the second prize in the "Quiz" competition organized by St.Joseph's Institute of Management in 'Top Notcher'19-Inter Collegiate Competitive Event'- National Level Technical Symposium 'on 18.08.2019
- .A.Fayaz Ahamed, final year student has won the first prize in the Circuit Debugging event on "DSIT – TECHFEST 2K19- National Level Technical Symposium" at Dhanalakshmi Srinivasan Institute of Technology on 25.09.19.
- C.Chaandhini, third year student has participated in the paper presentation event on "DSIT –TECHFEST 2K19- National Level Technical Symposium" at Dhanalakshmi Srinivasan Institute of Technology on 25.09.19.
- H.Hasiba Banu , third year student has won the second prize in the "Ad-Zap" competition organized by K.Ramakrishna College of Technology in 'Technovation'19- National Level Technical Symposium 'on 27.09.2019.
- M.Punavathy and T.Tajudeen of third year have completed in-plant training from Core bind Technologies in Embedded system
- Zam Zam Haliya A., Chaandni G., and Sabarinath C., of third year have completed in-plant training from Pantec Pro Ed Pvt Ltd in Machine Learning using Python

- Abdul Hameed. A. H., second year student has won the first prize in the Technical symposium organized by K.Ramakrishna college of Technology, Trichy
- C.Madhumitha, final year student has won "Silver Medal" in the South India Silambam Championship at Mannar Thirumalai Nayakar College on 11.08.19.
- A.Afsana, third year student has won the second prize in the "Ad-Zap" competition organized by K.Ramakrishna College of Technology in 'Technovation'19- National Level Technical Symposium 'on 27.09.2019.
- Ammu S, Boomika P and Janani M of third year have completed in-plant training from Pantec ProEd Pvt Ltd in Embedded Applications using Arduino.

Papers published by our Faculty members.

- Vijai M. Moorthy, has published a Journal paper on "Design and Characterization of Graphene-Based Nano Photodiode Array Device for Photo Simulation of Subretinal Implant" in Micro and Nano Letters

Guest Lectures Organised

- A Guest lecture was organised on the topic “Challenges In Circuit Designing” for Second year students on 17.8.2019. by Dr. K. Hariharan, Associate Professor/ ECE, Thiagarajar College of Engineering Madurai.



- A Guest lecture was conducted on the topic “DSP Algorithms And Processor Architecture” for third year students 17.8.2019, and Dr. M. Bhaskar Professor/ECE, NIT Tiruchirappalli was the Resource person.



- A Guest lecture was organised on the topic “Fiber Optics-Challenges, Applications and Future Prospects” for Final year students 23.9.2019. Dr. S.K. Pandiyan, Senior Assistant Professor/ECE SASTRA Deemed to be University, Thanjavur, was the Resource person.



FDP attended by Faculty

- Dr.A.Suresh Kumar, Professor, Mr.K.Javid, and Mrs.G.Karthika, Assistant professor have actively participated in the 2 days FDP program on the title“Nurturing Next generation” organized by M.I.E.T Engineering College on 21.06.19 to 22.06.19.
- Dr.A.Suresh Kumar, Professor has participated in the 2 days workshop on “National Level workshop” held at IFET college of Engineering college on 07.06.2019 to 08.06.2019.
- Mrs. G. Karthika, Assistant professor has participated in the One Week workshop on “Robotics & AI” at Anna university, bit campus, Trichy, Tamil Nadu, on 24.6.2019 to 03.07.2019.
- Mrs.N.latha and Mrs.R.Vijayalakshmi Assistant professors, have participated in the One Week short term course on “CAD based Modeling of ‘Optical

Industrial Visit

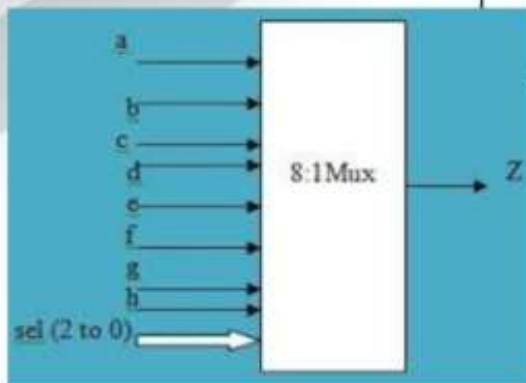
- Second year students have gone for industrial visit to Sunshive Electronic Solution, Coimbatore. 30 students have gone for industrial visit and 3 faculty members accompanied them.
- Third year students have gone for industrial visit to Indian Telephone Industries-(ITI) Palakad. 53 students have gone for industrial visit and 2 faculty members accompanied them.
- Final year students have gone for industrial visit to Indian Telephone Industries-(ITI) Palakad. 53 students have gone for industrial visit and 2 faculty members accompanied them.

Program Organized by T&P Cell

- HR Conclave 2020, was conducted for final year students and the resource person was Ms.K. Priya ,Senior TrainerMST, Pvt, Ltd
- Golden Hour Training was conducted by JARO Education Services, Mumbai, and the resource person was Mr. G.Muruganandham, Soft Skills Trainer

Value added courses Organised

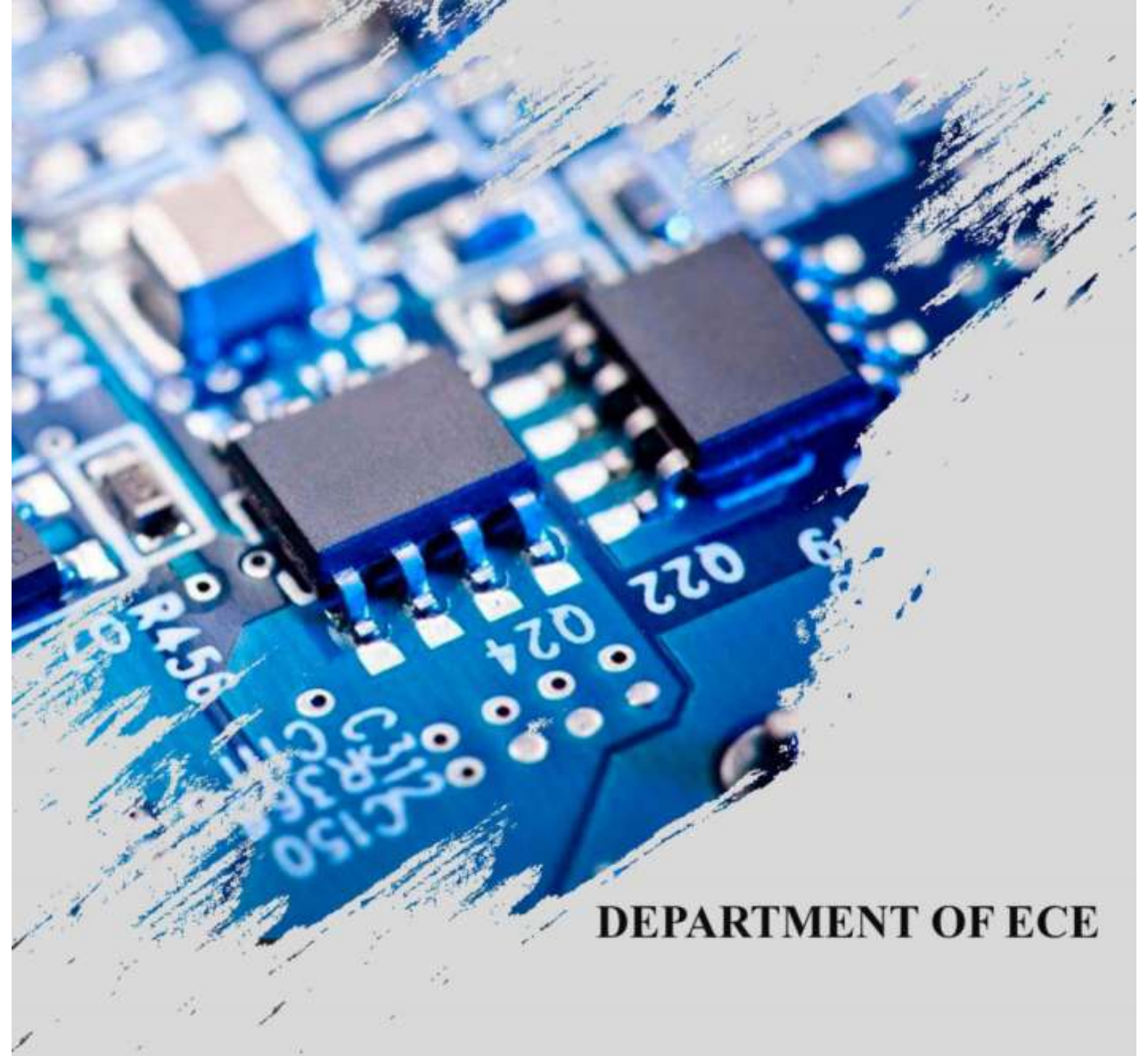
- Industrial based value added course for third and final year students was conducted on the topic "Intellectual properties rights (IPR) Digital Design using Verilog HDL" coordinated by N.Latha AP/ECE for 3 months.



- Industrial based value added course for second year students was conducted on the topic "Arduino Based Embedded System Design" coordinated by G. Karthika AP/ECE for 2 months.

Inauguration of value added course on 'Digital Hardware Design using Verilog HDL'





DEPARTMENT OF ECE

Chief Editor : Mr. K. Javid

Faculty Editors : Ms. Chandni

Mr. A. Antony Joseph Arputha Raj

Student Members : Vishupriya. N. J

Shabhan. R

Mohamed Rayan. A. S