

## NEWSLETTER



## ELECTRONICS & COMMUNICATION ENGINEERING

VOLUME-09  
ISSUE-02



---

2019-2020

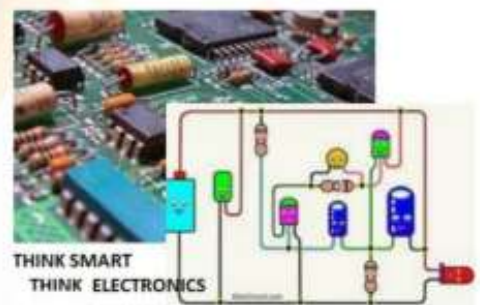


## *Electra 2019-20*

### Department of Electronics and Communication

#### About us

The Department of Electronics and Communication Engineering was established in the year 2001 and since then, the department has been offering full time B.E degree programme. Electronics department has been continuously striving to get updated with the latest trends in the fast-growing technological revolution and the highly skilled and experienced staff along with innovative and motivated students is the backbone behind this. Workshops and symposiums are organized every year to enrich the knowledge of the students. ME VLSI Design Programmed was commenced in 2011 with an intake of 18 students, to specially focus on research and development.



#### Department Vision and Mission

##### Vision

To be a top-class technical hub in imparting knowledge in cutting edge areas of Electronics and Communication Engineering, providing pleasant learning environment, nurturing scholars of excellent proficiency to meet the global and socio-economic challenges of the country.

##### Mission

- To provide remarkable teaching and research environment through state-of-the-art facilities.
- To strengthen the soft as well as hard skills of students to achieve technical and academic excellence.
- To raise the students to become responsible citizens with good human values and encourage them to work for the well-being of society.
- To develop the skills of lifelong learning and professional growth of students through utilization of the high-standard infrastructure facilities





**Er. A MOHAMED YUNUS, B.E., M.Sc., Engg.**  
Chairman  
M.I.E.T. Institutions

### **CHAIRMAN's MESSAGE**

Being in the current world is not a hasty track, the responsibility of creating a high-quality educational institution is challenging and embellished with a host of initiatives which validate them over an extended time span. Moreover, in a world where time and space are compacted, there is a massive defy for success which necessitates knowledge, which is current, pertinent and based on real experience. In this situation, the education plays a paramount role in moulding, shaping and preparing youngsters to face the challenges of the future world. The faculty with an outstanding academic background and sound conceptual knowledge of contemporary engineering studies and practices ably complete the process of converting the budding students into employable technocrats. Moreover, M.I.E.T strives hard to sensitize its students to the needs of the community and inculcate values like truthfulness, fortitude and acceptance of individual differences. That this whole process is completed keeping in mind the College Vision, Mission and Quality policy is an achievement that the faculty takes pride in.



**Dr. A NAVEEN SAIT M.E., Ph.D**  
Principal  
M.I.E.T. Engineering College

### **PRINCIPAL's MESSAGE**

As the Principal of our esteemed college, I am immensely proud of all of you. You all have been inspiring us with your hard work and dedication, and have made us proud with our many achievements over the years. As we look ahead to the future, I urge you to continue to strive for excellence and to never give up on your dreams. Your college experience should be one of exploration, growth, and discovery. I hope that you will continue to take advantage of all the resources our college has to offer to help you reach your goals. I also want to take a moment to thank all of you for your contributions to the college magazine. Your creativity and enthusiasm for showcasing the college's achievements has been remarkable.



## Students' participation in in-plant training/conferences/workshops

- Ms.Arul Jothika S of first year students has won the second prize in the "Speech" competition organized by M.I.E.T. Engineering College, Trichy in 'Sirpika2K20' Intra Collegiate Competitive Event'
- Ms. Kavimitha S of second year student has won the second prize in the "Singing" competition organized by M.I.E.T. Engineering College, Trichy in 'Sirpika2K20' Intra Collegiate Competitive Event'
- Mr. Mohamed Rifai. H of second year students has participated in the Technical seminar at Mepco Schlenk Engineering college
- Ms. Sivaleshwari. M and Brinda. R of first year has participated in the MIETEXPO, organized by M.I.E.T. Engineering College, Trichy
- Ms. Zam Zam Haliya. A of third year has won first prize in the Debug competition as part of Symposium, organized by CARE Group Of Institutions
- Ms. Kavimitha.S of second year has won first prize in the MIET EXPO, organized by M.I.E.T. Engineering College, Trichy

- National Level Technical Symposium MILANRONIKZ'20 was conducted on 22-02-2020
- Dr. M. Krishnan, AE, TWAD Board (Maintenance division), Trichy was the chief guest

## Papers published by Faculty

- Dr. Ayshathul Fouzia Abdul Gani, Assistant Professor has published a Journal paper on "Label-Free Normal and Cancer Cells Classification Combining Prony's Method and Optical Techniques" in IEEE Access, volume Vol.8.

## Online techniques during Covid time

- Learning Management system, a cloud-based web portal accessible via Desktop and Laptop was introduced.



## Placement Details

- Provides a single point access to profiles and various performance reports of all the students and faculty members.
- Enable digital education and leverage innovative Technologies for effective learning management.
- Manage all its students, faculty, courses, classes, timetable, attendance, etc.
- Stay connected with all its students and faculty members for any immediate support.
- Send instant notifications and messages to all or any specific group of students and faculty

### Placement Training program for our students



## Effective teaching techniques during COVID

S.No.	Name	Subject	Resource Link
<b>PPT &amp; VIDEO</b>			
1	Mrs. S. Madumitha	EC8661-VLSI Design Laboratory	<a href="https://www.youtube.com/watch?v=dSb-jkA5k">https://www.youtube.com/watch?v=dSb-jkA5k</a>
2	Mrs. B. T. Kirthika	EC8681-MPMC Lab	<a href="https://www.youtube.com/watch?v=HL-mM2H0R0">https://www.youtube.com/watch?v=HL-mM2H0R0</a>
3	Ms. P. Delphine Mary	EC8461-Circuits and Simulation Lab	<a href="https://www.youtube.com/watch?v=zOxpVgAzo">https://www.youtube.com/watch?v=zOxpVgAzo</a>
4	Mrs. B. Atchaya	EC6311-Analog and Digital Communication	<a href="https://www.youtube.com/watch?v=xxJW7DpBZk">https://www.youtube.com/watch?v=xxJW7DpBZk</a>



**Organised apttitude exam in our placement cell**



**Our students were placed in leading software companies.**



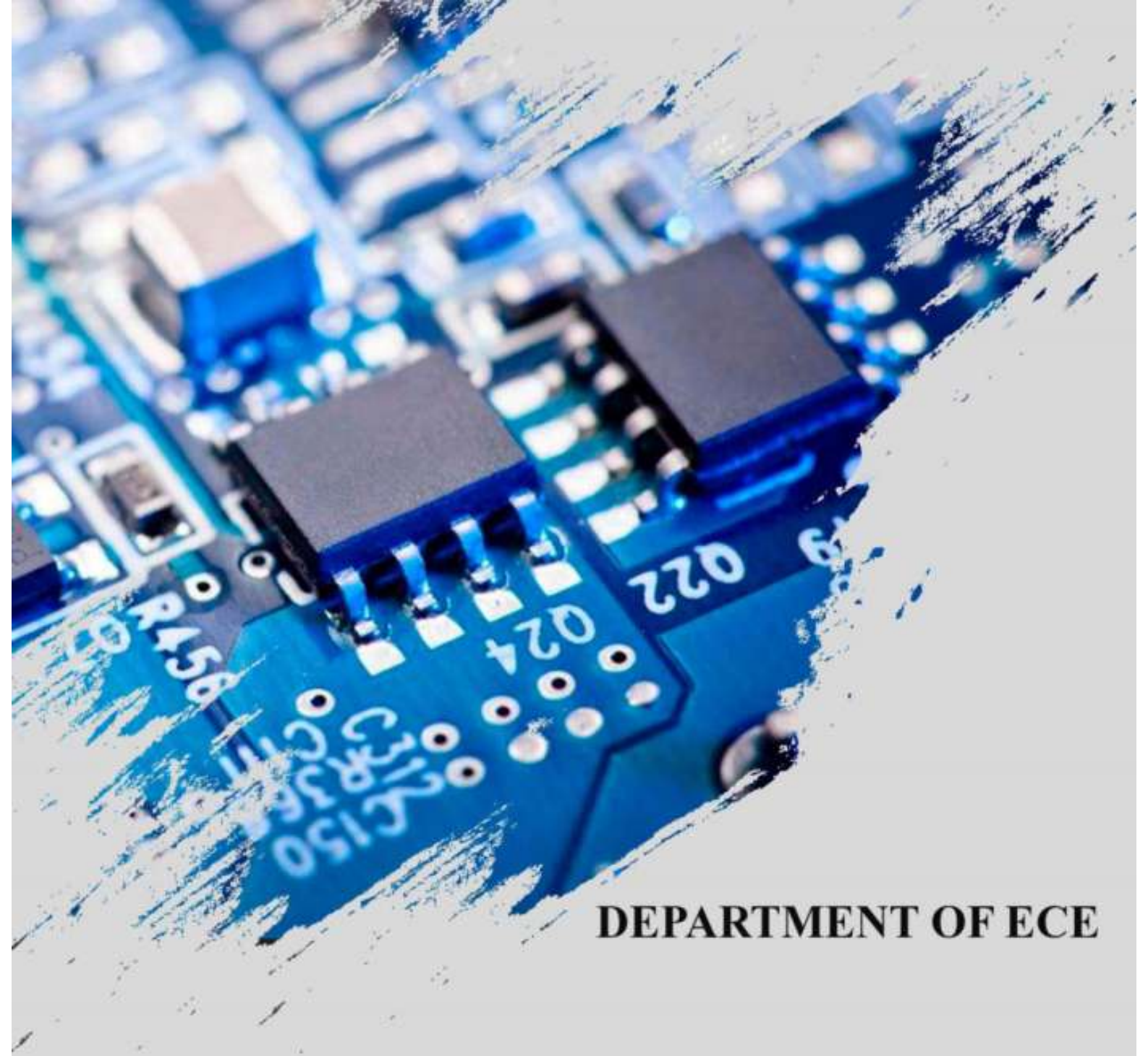
IETE was inaugurated on 03.10.2019 by Mr. T.S.K.Pillai, Deputy Director General (Engg), All India Radio, Trichy was honored with memento



Mr. T.S.K.Pillai, Deputy Director General (Engg), All India Radio, Trichy addressing the students.







## DEPARTMENT OF ECE

Chief Editor : Mr. K. Javid

Faculty Editors : Ms. Chandni

Mr. A. Antony Joseph Arputha Raj

Student Members : Vishupriya. N. J

Shabhan. R

Mohamed Rayan. A. S