

NEWSLETTER



ELECTRONICS & COMMUNICATION ENGINEERING

VOLUME-10
ISSUE-01

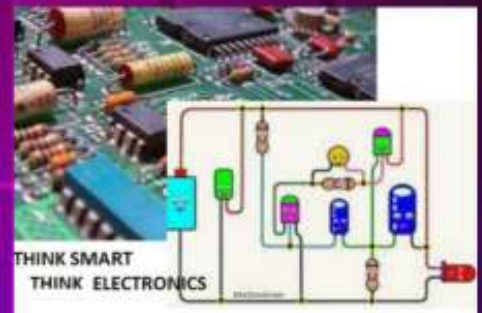


2020-2021

Department of Electronics and Communication

About us

The Department of Electronics and Communication Engineering was established in the year 2001 and since then, the department has been offering full time B.E degree programme. Electronics department has been continuously striving to get updated with the latest trends in the fast-growing technological revolution and the highly skilled and experienced staff along with innovative and motivated students is the backbone behind this. Workshops and symposiums are organized every year to enrich the knowledge of the students. ME VLSI Design Programmed was commenced in 2011 with an intake of 18 students, to specially focus on research and development.



Department Vision and Mission

Vision

- ❖ To be a top-class technical hub in imparting knowledge in cutting edge areas of Electronics and Communication Engineering, providing pleasant learning environment, nurturing scholars of excellent proficiency to meet the global and socio-economic challenges of the country.

Mission

- ❖ To provide remarkable teaching and research environment through state-of-the-art facilities.
- ❖ To strengthen the soft as well as hard skills of students to achieve technical and academic excellence.
- ❖ To raise the students to become responsible citizens with good human values and encourage them to work for the well-being of society.
- ❖ To develop the skills of lifelong learning and professional growth of students through utilization of the high-standard infrastructure facilities.



Er. A MOHAMED YUNUS, B.E., M.Sc., Engg.
Chairman
M.I.E.T. Institutions

CHAIRMAN's MESSAGE

We at M.I.E.T., motivate and empower our students to be enduring learners, critical thinkers and prolific members of an ever-changing global society. Also, the students are encouraged to channelize their potential in the pursuit of fineness in a holistic and student-centered environment. Moreover, M.I.E.T strives hard to sensitize its students to the needs of the community and inculcate values like truthfulness, fortitude and acceptance of individual differences. We believe in ardent faith in discipline and hard work to acquire success one after the other in all the ventures. We have high aims and lofty ideals to secure a worthy place for this college amongst the renowned colleges in India and abroad.



Dr. A NAVEEN SAIT, M.E., Ph.D
Principal
M.I.E.T. Engineering College

PRINCIPAL's MESSAGE

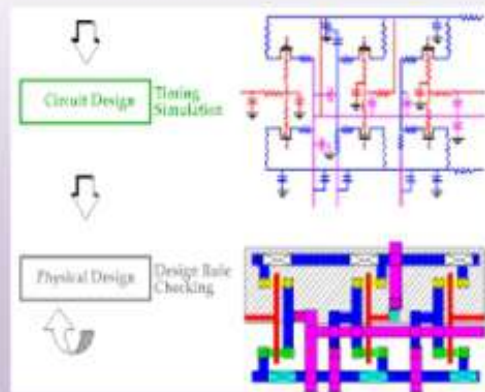
Education is not just a process of giving knowledge for a future job but a lifelong process which builds an understanding of moral and ethical values to guide one's life in a right path. M.I.E.T. not only focuses on the academic front, but also helps in the development of a student's personality, extra-curricular activities and over all perspective. Everything that makes a good institution - well equipped R&D Cells, Lab facilities for all the departments, Wi-Fi enabled campus, well stacked library with digital facility, career guidance, unique teaching methods, training for competitive examinations, liberty to think and express themselves – all are available to mould the students to face the challenges confidently.

Students' participation in in-plant training / conferences/workshops

- Mr. Vigneshwaran M, final year student participated in the "Digital Electronics" competition organized by Mandasaur university
- . Mr. Vigneshwaran M, final year student participated in the "Introduction to R Programming for Data Analysis" competition organized by Narasu's Sarathy Institute of Technology
- Mr. Vigneshwaran M, final year student participated in the "An overview to project management in IT Industry" competition organized by Narasu's Sarathy Institute of Technology
- Mr. Vigneshwaran M, final year student participated in the "HTML Fundamental course and C Tutorial" organized by SOLOLEARN
- Mr. Vigneshwaran M, final year student participated in the "Online Course" organized by UDEMY
- Ms Chaandini C, final year student participated in the "IETE Students forum certificate" organized by M.I.E.T. Engineering College

Visiting Faculty

- Mr. Theiventhiran Murugan, with designation as ASIC Digital Design Engineer, Staff Synopsys India (Pvt) Ltd has handled the course on VLSI Design for 32 hours



Guest Lectures Organised

- A Guest lecture was organised on the topic "Challenges in Circuit Designing" for Second year students on 17.8.2019. by Dr. K. Hariharan, Associate Professor/ ECE, Thiagarajar College of Engineering Madurai.



Faculty participation

- Ms. P. Delphine Mary has participated in E-Quiz Industrial Electronics organised by Government Polytechnic college
- Mr A. Antony Joseph Arputha Raj, has participated in FDP on Antenna Application and Microwave Design organised by Sai Ram Institute of Technology.
- Ms. P. Delphine Mary has participated in Webinar on Calculus organised by Chennai Institute of Technology.
- Ms. P Delphine Mary has participated in National Level Quiz organised by Mohamed Sathak A J College of Engineering
- Mr. A. Antony Joseph ArputhaRaj, has participated in FDP on Modern Technology and Tool Design for real time application organised by Sai Ram Institute of Technology
- Mrs. R. Vijayalakshmi has participated in an online workshop on “ Innovative design Thinking and Entrepreneurship”, organised by Sreenidhi Institute of Technology.
- Dr. A. Suresh Kumar has participated in FDP on “Outcome based Education Software” organised by Jeppiar College of Engineering
- Dr. A. Suresh Kumar has participated in online SSTP on “Circuit theory” organised by Saveetha College of Engineering

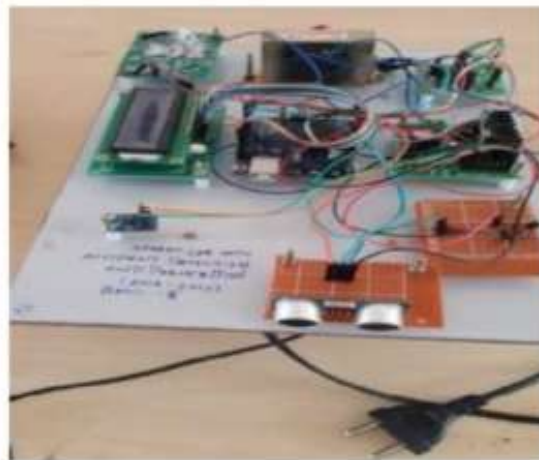
Papers published by Faculty

- Vijai M. Moorthy, Assistant Professor has published a Journal paper on “Bio-interface behaviour of Graphene and semi-conducting SWCNT: C60 blend based nano photodiode for Sub-retinal implant” in IET Bio-surface and Biotribology
- Ayshathul Fouzia Abdul Gani, Associate Professor has published a Journal paper on “Auto-Regressive Parametric model combined ANOVA approach for label-free-based cancerous and normal cells discrimination”.

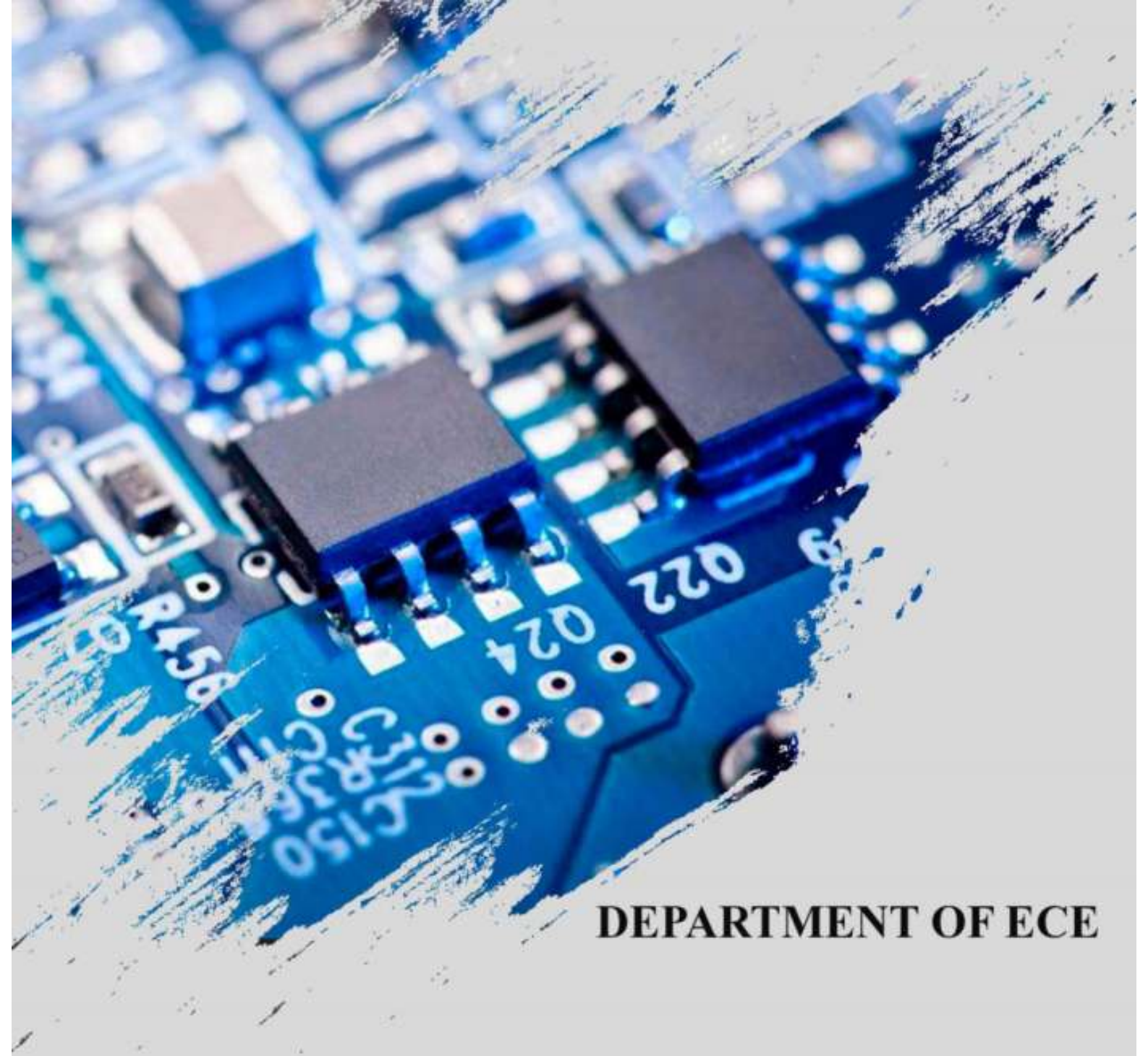
Innovative Projects of our students



**A Smart and Secured
Electronic Voting Machine**



**Smart Car with Accident
Detection and Prevention**



DEPARTMENT OF ECE

Chief Editor : Dr. Ayshathul Fouzia Abdul Gani

Faculty Editors : Ms. Chandni

Mr. A. Antony Joseph Arputha Raj

Student Members : Zam Zam Haliya. A

Hina. M

Thajudeen. T