

## NEWSLETTER



## ELECTRONICS & COMMUNICATION ENGINEERING

VOLUME-11  
ISSUE-01



---

2021-2022

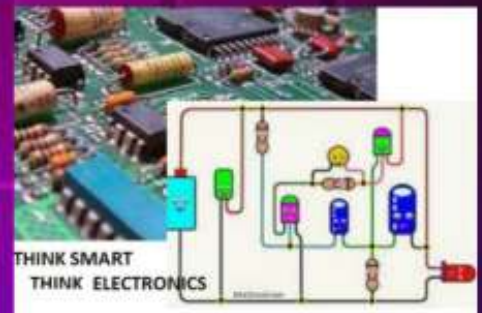


# Electra 2021-22

## Department of Electronics and Communication

### About us

The Department of Electronics and Communication Engineering was established in the year 2001 and since then, the department has been offering full time B.E degree programme. Electronics department has been continuously striving to get updated with the latest trends in the fast-growing technological revolution and the highly skilled and experienced staff along with innovative and motivated students is the backbone behind this. Workshops and symposiums are organized every year to enrich the knowledge of the students. ME VLSI Design Programmed was commenced in 2011 with an intake of 18 students, to specially focus on research and development.



### Department Vision and Mission

#### **Vision**

- ❖ To be a top-class technical hub in imparting knowledge in cutting edge areas of Electronics and Communication Engineering, providing pleasant learning environment, nurturing scholars of excellent proficiency to meet the global and socio-economic challenges of the country.

#### **Mission**

- ❖ To provide remarkable teaching and research environment through state-of-the-art facilities.
- ❖ To strengthen the soft as well as hard skills of students to achieve technical and academic excellence.
- ❖ To raise the students to become responsible citizens with good human values and encourage them to work for the well-being of society.
- ❖ To develop the skills of lifelong learning and professional growth of students through utilization of the high-standard infrastructure facilities.





**Er. A MOHAMED YUNUS, B.E., M.Sc., Engg.**  
Chairman  
M.I.E.T. Institutions

### **CHAIRMAN'S MESSAGE**

Our institution was formed with the aim to promote education and culture in all aspects in order to achieve and fulfill the mission statement that we believe in. As an established and highly esteemed institution, we maintain an utmost academic standard, incorporated with the conduct of discipline, thereby achieving remarkable and excellent percentage of results. We firmly believe that education is the key to a nation's progress with this; we will take it as our bounded duty to provide the best academic training a student can possibly get. The institution endeavors to comfort the students with all the necessary knowledge and skills to become truly successful in the chosen field. In whatever career a student may choose to take, hard work and discipline are the sure roads towards success. And as your educational institution, we will support students in achieving those golden ambitions and also ensure that their stay in the college is meaningful and fruitful as well.



**Dr. A NAVEEN SAIT, ME., Ph.D**  
Principal  
M.I.E.T. Engineering College

### **PRINCIPAL'S MESSAGE**

Effective leadership is not about making speeches or being liked; leadership is defined by results, not attributes. We, here always emphasize on the need of having qualified and quality teachers in the field of Technical Education and who steer the Institute in the right direction with unblemished reputation. M.I.E.T. is proud of outstanding teaching and a wide range of programmes delivered by research-active faculty. Its commitment to providing a research-informed education which helps students to develop advanced skills and follow their chosen career. M.I.E.T. has a distinctive blend of enviable teaching and learning environment coupled with well-educated staff and talented pool of students to achieve your academic ambitions.

### **Students participation in in-plant training/conferences/workshops**

- Dinesh Kumar K.S. and Karthick Pandiyan, third year students has participated in the “Technical Symposium” competition organized by Shanmuganathan Engineering college on 01.06.2022.
- Poonthamilan S. and Senthil Murugan C., third year students has participated in the “TechnoPedia 2022” competition organized by Shanmuganathan Engineering college on 01.06.2022.
- Sabeena Begum.S, Vineeth Kumar. R and Fazil Ahamed, final year students have participated in the “National Conference” competition organized by Kurinji College of Engineering and Technology in 09.06.2022.
- Shanthi. T, Sathya. M and Thasneem. M. L., fourth year students have participated in the “National Conference” competition organized by Kurinji College of Engineering and Technology in 09.06.2022.
- Vishnu. S, Kavimitha. S and Gokul. V, fourth year students have participated in the “National Conference” competition organized by Kurinji College of Engineering and Technology in 09.06.2022.



## Value added courses organized

- Industrial based value added course for third year students was conducted on the topic “LABVIEW” coordinated by Mrs .S. Madumitha, Assistant Professor, Department of ECE.E for 3 months.

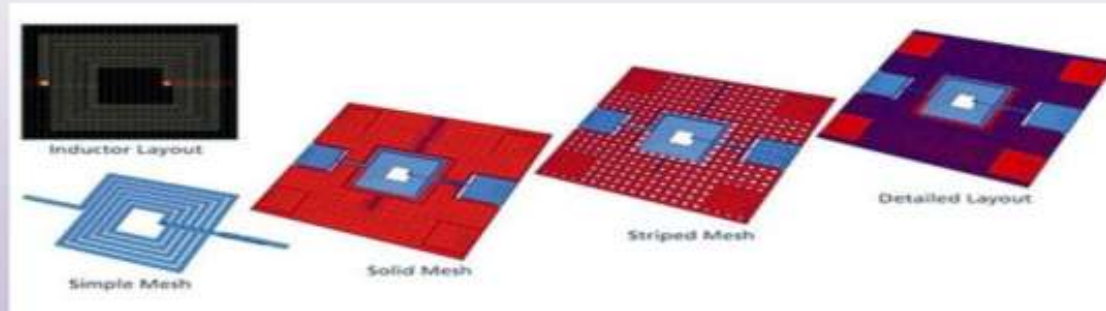


## Faculty Participation

- Dr. Vijai M. Moorthy, Assistant Professor has published a Journal paper on “Modelling, Simulation and Analysis of NPDA for Sub-retinal implant using Nano Materials”.
- Dr. P.Rajalakshmi, Assistant Professor has published a Journal paper on “Hexagonal split ring resonator enclosed circular split ring resonator inspired dual-band antenna for sub-6GHz NR and IEEE 802.11 ba/be applications”, in Progress In Electromagnetics Research C, Vol. 115, 1-15, 2021
- Dr. Vijai M. Moorthy, Assistant Professor has published a Journal paper on “Effect of Active Layer Thickness on Organic Thin-Film Transistors”.

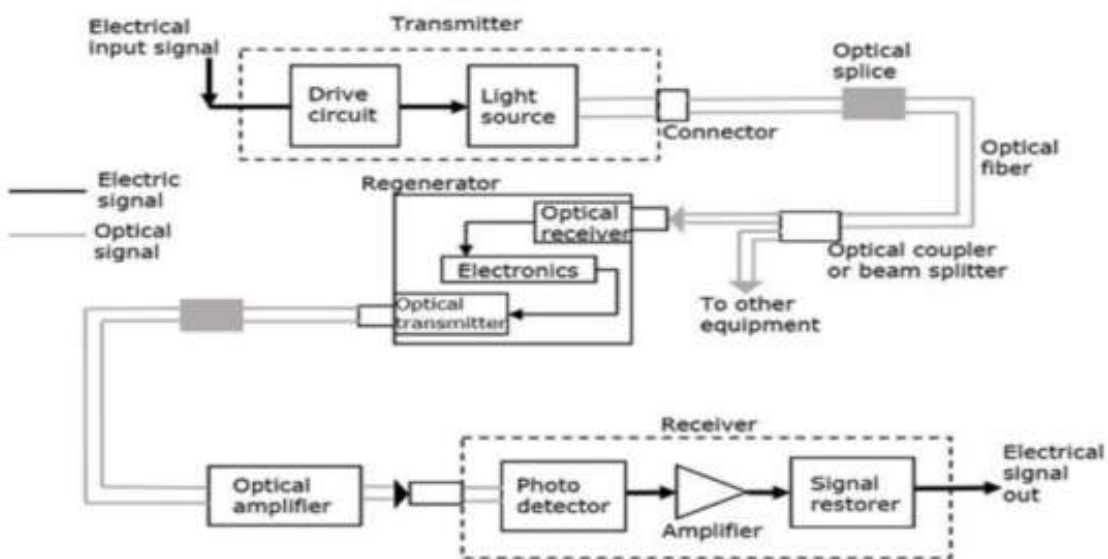
## Guest Lectures Organised

- An online Guest lecture was conducted on the topic "RF IC Design" for Second year students on 17.8.2019. by Prof. Viranjay M. Srivastava, Engineer /Department of Electronic Engineering, Howard College, University of KwaZulu-Natal, Durban, RSA



## Visiting Faculty

- Lecture on Optical Communications for 24 hours was handled by Dr B. Pratish Raja.

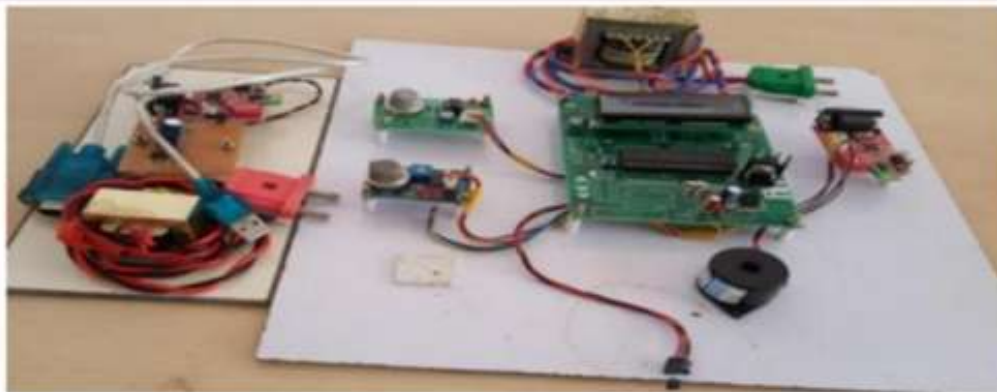




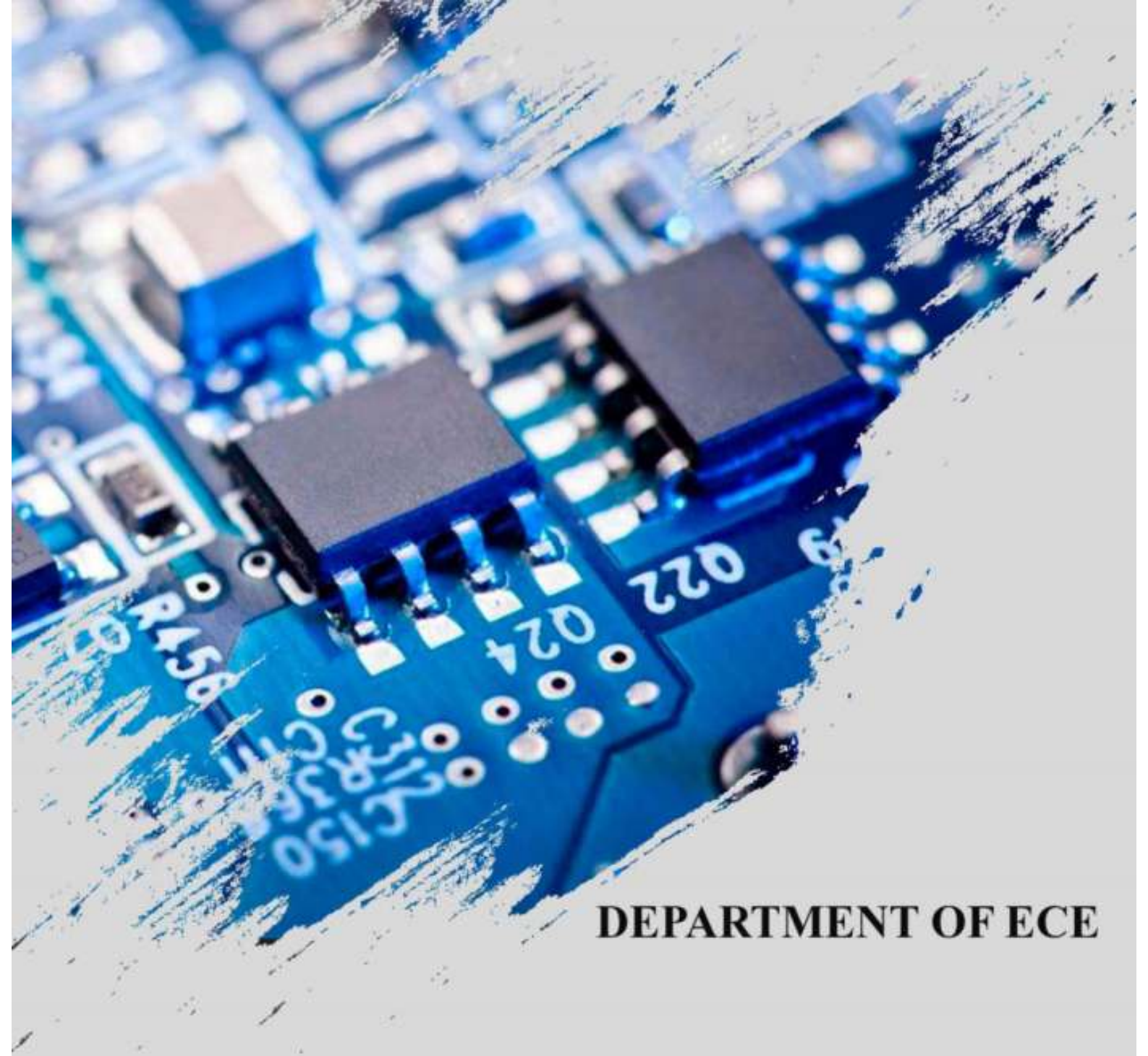
## **HARDWARE PROJECTS**



**IOT Based Medical Assistant  
for People Health  
Monitoring System**



**An Automatic Remote Monitoring Irrigation System  
Based on Soil Moisture Measurement Using IoT**



## DEPARTMENT OF ECE

Chief Editor : Dr. Ayshathul Fouzia Abdul Gani

Faculty Editors : Ms. Chandni

Mr. A. Antony Joseph Arputha Raj

Student Members : Manisha Christy. J

Mohamed Riyaz. A

Amirtha Varshini. M