

Trichy-Pudukkottai Road, Trichy-7

NEWSLETTER



ELECTRONICS & COMMUNICATION ENGINEERING

VOLUME-11
ISSUE-02



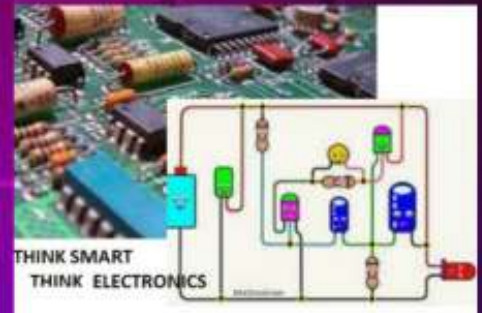
2021-2022

Electra 2021-22

Department of Electronics and Communication

About us

The Department of Electronics and Communication Engineering was established in the year 2001 and since then, the department has been offering full time B.E degree programme. Electronics department has been continuously striving to get updated with the latest trends in the fast-growing technological revolution and the highly skilled and experienced staff along with innovative and motivated students is the backbone behind this. Workshops and symposiums are organized every year to enrich the knowledge of the students. ME VLSI Design Programmed was commenced in 2011 with an intake of 18 students, to specially focus on research and development.



Department Vision and Mission **Vision**

- ❖ To be a top-class technical hub in imparting knowledge in cutting edge areas of Electronics and Communication Engineering, providing pleasant learning environment, nurturing scholars of excellent proficiency to meet the global and socio-economic challenges of the country.

Mission

- ❖ To provide remarkable teaching and research environment through state-of-the-art facilities.
- ❖ To strengthen the soft as well as hard skills of students to achieve technical and academic excellence.
- ❖ To raise the students to become responsible citizens with good human values and encourage them to work for the well-being of society.
- ❖ To develop the skills of lifelong learning and professional growth of students through utilization of the high-standard infrastructure facilities.



Er. A MOHAMED YUNUS, B.E., M.Sc., Engg.
Chairman
M.I.E.T. Institutions

CHAIRMAN'S MESSAGE

Our institution was formed with the aim to promote education and culture in all aspects in order to achieve and fulfill the mission statement that we believe in. As an established and highly esteemed institution, we maintain an utmost academic standard, incorporated with the conduct of discipline, thereby achieving remarkable and excellent percentage of results. We firmly believe that education is the key to a nation's progress with this; we will take it as our bounded duty to provide the best academic training a student can possibly get. The institution endeavors to comfort the students with all the necessary knowledge and skills to become truly successful in the chosen field. In whatever career a student may choose to take, hard work and discipline are the sure roads towards success. And as your educational institution, we will support students in achieving those golden ambitions and also ensure that their stay in the college is meaningful and fruitful as well.



Dr. A NAVEEN SAIT, M.E., Ph.D
Principal
M.I.E.T. Engineering College

PRINCIPAL'S MESSAGE

"Effective leadership is not about making speeches or being liked; leadership is defined by results, not attributes." We, here always emphasize on the need of having qualified and quality teachers in the field of Technical Education and who steer the Institute in the right direction with unblemished reputation. M.I.E.T. is proud of outstanding teaching and a wide range of programmes delivered by research-active faculty. Its commitment to providing a research-informed education which helps students to develop advanced skills and follow their chosen career. M.I.E.T. has a distinctive blend of enviable teaching and learning environment coupled with well-educated staff and talented pool of students to achieve your academic ambitions.

Students' participation in in-plant training/conferences/workshops

- B. Ramya, of third year has completed in-plant training from Hi Tech Calibration Service
- S Arul Jothika, M Shehha and V Deborah of third year have completed in-plant training from E Soft IT Solutions in Web Development
- Jegan J and Karthick Pandiyan R of third year have completed in-plant training from E-Soft IT Solutions in Web Development
- S Evangeline of third year has completed in-plant training from NSIC Technical Service center on industrial based embedded with AI and IoT
- S Evangeline and Jegan J of third year has completed in-plant training from E Soft IT Solutions in Web Development

Papers published by Faculty

- Dr. Vijai M. Moorthy, Assistant Professor has published a Journal paper on "Device Modeling of Organic photo voltaic cells with Traditional and Inverted Cells using s-SWCNT:C60 as Active Layer" in Nanomaterials.

Value added courses organized

- Industrial based value added course for third year students was conducted on the topic "TinkerCAD" and coordinated by Mr S. SurajKumar, , Assistant Professor, Department of ECE for 3 months.



Guest Lectures Organised

- A Guest lecture was conducted on the topic “Open Source Operating System for IOT Devices” for final year students 19.4.2022. Mr. Manikandan, Sr. Embedded Engineer, Oppila Microsystems Pvt. Ltd, Bangalore was the Resource person.



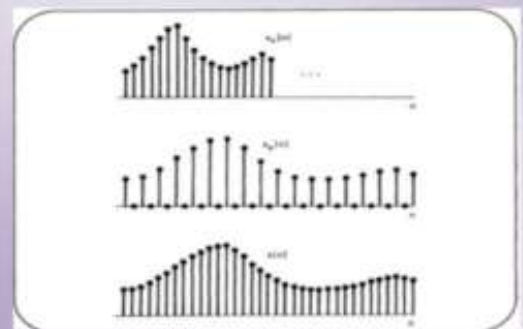
- A Guest lecture was conducted on the topic “Industries 4.0” for Second year students on 28.4.2022. Mrs. N Shantha, Sub Divisional Engineer, BSNL, Trichy was the Resource person.



- A Guest lecture was conducted on the topic “Recent Trends in Communication Technologies” for Third year students 26.4.2022. Dr. P. Maheshwaravenkatesh, Assistant Professor/ECE, Anna University Bit Campus Tiruchirappalli was the Resource person.
- A Guest lecture was conducted on the topic “Gate Awareness” for Second year students on 18.4.2022. Mr. S Thiyagarajan, Managing Director, Gate Win Trichy was the Resource person

Visiting Faculty

- Special Lectures on Signals and system was handled by Dr B. Pratish Raja for 28 hours.



Industrial Visit

- Third year students have gone for industrial visit to Wonderla Holidays Ltd. in Kerala., 37 students have gone for industrial visit and 2 faculty members accompanied them.



- Final year students have gone for industrial visit to Radio Astronomy Center, Udhamandalam. 26 students have gone for industrial visit and 2 faculty members accompanied them.



- Second year students have gone for industrial visit to All India Radio Ooty, Coimbatore. 37 students have gone for industrial visit and 3 faculty members accompanied them.



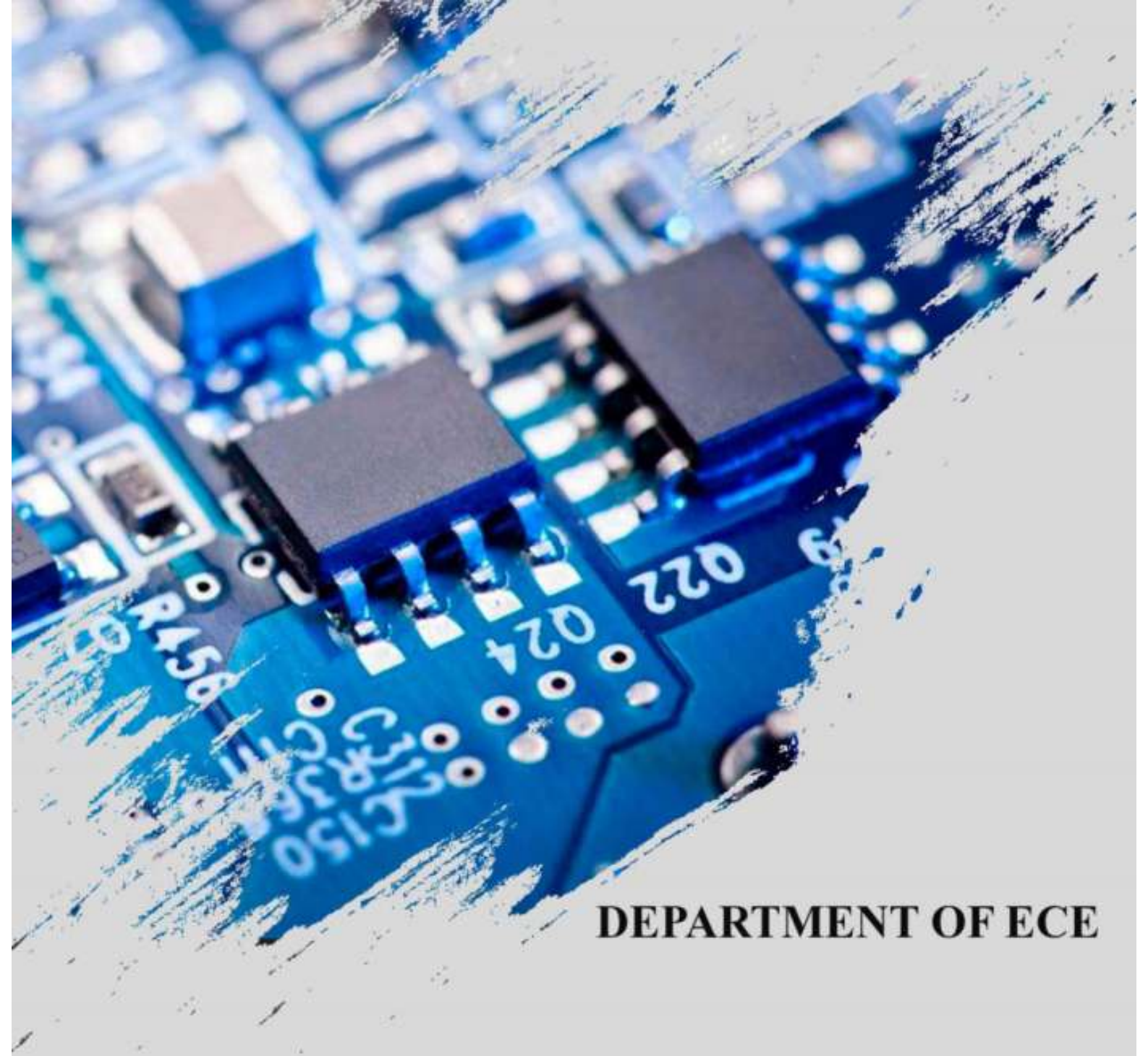
Placement Details

- Our students were placed in leading software and core companies. Some of them are listed below
 - **Foxconn Technologies**
 - **Hasmec Technologies Pvt Ltd**
 - **Capgemini TechnologyService India Ltd**
 - **Mankino Asia Ptv Ltd**
 - **New Propeller Technologies**
 - **India Japan Private Ltd**

Students got placed in Foxconn Technologies.



Lat 10.730418°
Long 78.719809°
23/05/22 12:42 PM



DEPARTMENT OF ECE

Chief Editor : Dr. Ayshathul Fouzia Abdul Gani

Faculty Editors : Ms. Chandni

Mr. A. Antony Joseph Arputha Raj

Student Members : Manisha Christy. J

Mohamed Riyaz. A

Amirtha Varshini. M