

Trichy-Pudukkottai Road, Trichy-7

## NEWSLETTER



## ELECTRONICS & COMMUNICATION ENGINEERING

VOLUME-12  
ISSUE-01



---

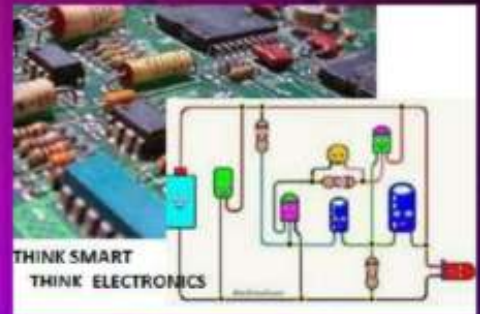
2022-2023

# Electra 2022-23

## Department of Electronics and Communication

### About us

The Department of Electronics and Communication Engineering was established in the year 2001 and since then, the department has been offering full time B.E degree programme. Electronics department has been continuously striving to get updated with the latest trends in the fast-growing technological revolution and the highly skilled and experienced staff along with innovative and motivated students is the backbone behind this. Workshops and symposiums are organized every year to enrich the knowledge of the students. ME VLSI Design Programmed was commenced in 2011 with an intake of 18 students, to specially focus on research and development.



### Department Vision and Mission

#### **Vision**

To be a top-class technical hub in imparting knowledge in cutting edge areas of Electronics and Communication Engineering, providing pleasant learning environment, nurturing scholars of excellent proficiency to meet the global and socio-economic challenges of the country

#### **Mission**

- ❖ To provide remarkable teaching and research environment through state-of-the-art facilities.
- ❖ To strengthen the soft as well as hard skills of students to achieve technical and academic excellence.
- ❖ To raise the students to become responsible citizens with good human values and encourage them to work for the well-being of society.
- ❖ To develop the skills of lifelong learning and professional growth of students through utilization of the high-standard infrastructure facilities.



Er. A MOHAMED YUNUS B.E., M.Sc. Engg.  
Chairman  
M.I.E.T Institutions

## CHAIRMAN'S MESSAGE

Higher education in our country is undergoing a remarkable transformation. Nowadays, education system is outcome-based rather than the traditional exam-centric one which was followed in our country for centuries. In outcome-based education, the real learning outcomes of students are measured in an objective manner. M.I.E.T. Trichy is a center of learning where young students nurtured in different fields of engineering. Our institution focuses on imparting technical training to encourage curiosity and innovativeness among the students so as to meet the fast-changing needs of the industries. We, M.I.E.T. Engineering College, give importance for importing life and communication skills to our students. Separate trainings on life and communication skills are being given to our students by special trainers. We believe that the education received at our institutions, must translate into excellent career and job prospects for our students. All staff members of our institution work with the motto of bringing our college as one of the premier institutions in our country. We will work, learn and grow together and take the institution to the highest peak in the academic field and maintain the highest standards.



Dr. A NAVEEN SAIT, M.E., PhD  
Principal  
M.I.E.T Engineering College

## PRINCIPAL'S MESSAGE

Our goal is to bring changes in the world through education. The college has the privilege of having a healthy, harmonious ambience and rich values. We focus on our students by providing them with a world class outcome-based education, hands-on experience through research, training and various student forums. There is a regular monitoring on the implementation of planned academic activities with desired results in grooming our future generation for their career & for higher studies in India and abroad. A research culture has taken shape in the institution through advanced R & D activities. We believe in continuous development and strive to carry on the best efforts and endeavors towards the benefit of students. Our mission is to transform students into rational thinkers, competent engineers, law abiding citizens and spiritually enlightening individuals. This is my firm belief that the rich values and traditions imbibed here would carry the students to greater levels in their life.

## Students' participation in in-plant training/conferences/workshops

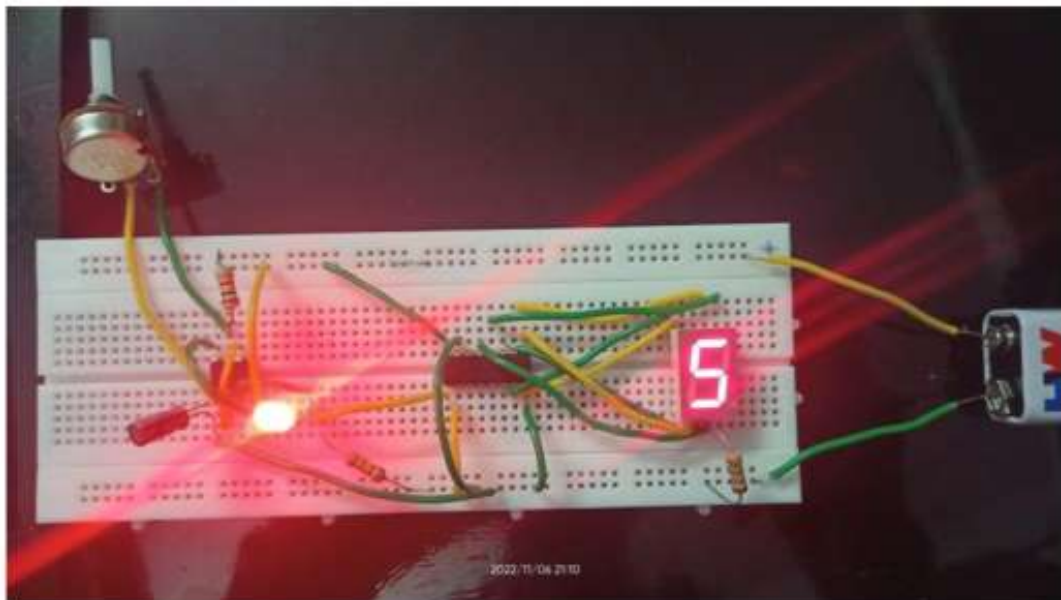
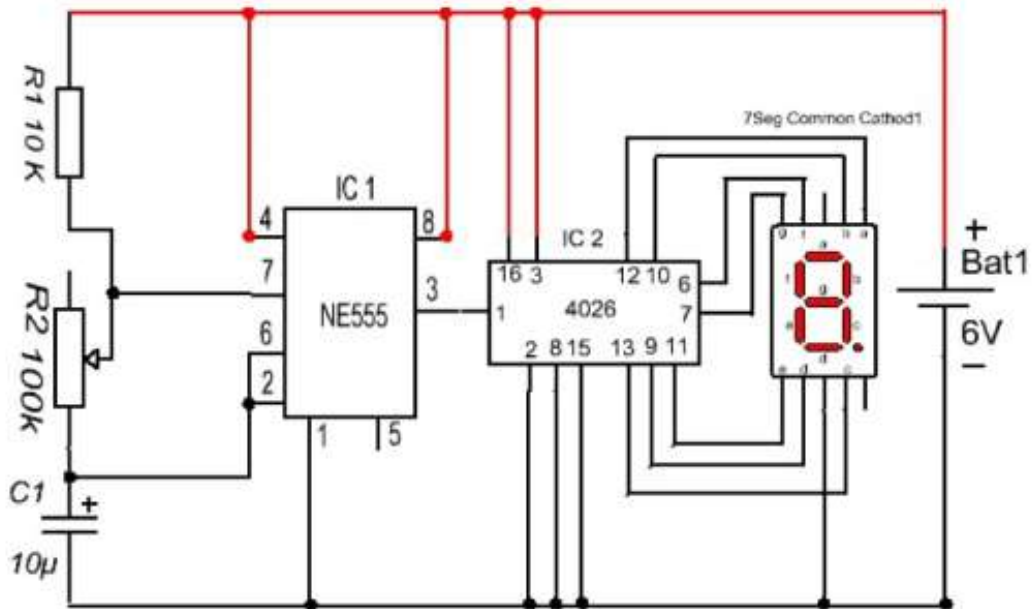
- Mr. A. Absarkhan, final year student participated in the “Training Datascience & Fullstack Developer” organized by Aadhrose Infotech.
- Mr. U. Mohamed Aashiq , final year student participated in the “Training Datascience & Fullstack Developer” organized by Aadhrose Infotech.
- Mr. V. U. Ahamed Habeeb Ansari ,final year student participated in the “Training Datascience & Fullstack Developer” organized by Aadhrose Infotech.
- Ms. S. Arul Jothika , final year student participated in the “Training Datas cience & Fullstack Developer” organized by Aadhrose Infotech.
- Mr. S Ayyanar, final year student participated in the “Internship Training on Industrial Based Embedded With AI & IoT” organized by NISC.
- Mr. J Jegan, final year student participated in the “Internship Training on Industrial Based Embedded With AI & IoT” organized by NISC.
- Ms. D Sharmila,third year student participated in the “Workshop on Introduction To Matlab” organized by CARE College of Engineering.
- Ms. S Ruth Mary,third year student participated in the “Workshop on Introduction To Matlab” organized by CARE College of Engineering.

## Papers published by our faculty members

- Dr.S.Archana, Assistant Professor, has published a paper on “Miniaturized slot loaded on-chip antenna with multi-fingered inner loop for implantable devices”.
- Dr.S.Saju, Associate Professor, has published a paper on “Timing-Error-Tolerant”
- Dr.S.Saju, Associate Professor, has published a paper on “Review of 6G Communication in Haptic Technology”
- Dr.A.Suresh Kumar, Professor, N.Dharmaraj, B.T.Kirthika Assistant Professor has published a patent on “Design of an IoT monitoring system for measuring light intensity and light gas level”.
- Dr.Sushma, Assistant Professor, has published a journal on “Multicriteria deming regressive African buffalo optimized mapping for 3D NoC architecture Design”.
- N.Priscilla Villma Manorathi, Assistant Professor, has published a patent on “Design of an IOT monitoring system for measuring light intensity and light gas level”.
- N.Dharmaraj, Assistant Professor, has authored a book on “Digital system Design”.
- N.Priscilla Villma Manorathi, Assistant Professor, has authored a book on “Digital system Design”.

## Quality Projects of our students

- S.Sriganth , KS.Mohammad kaja bhasith of second year students has done a Mini Project on "Seven segment using counter circuit".



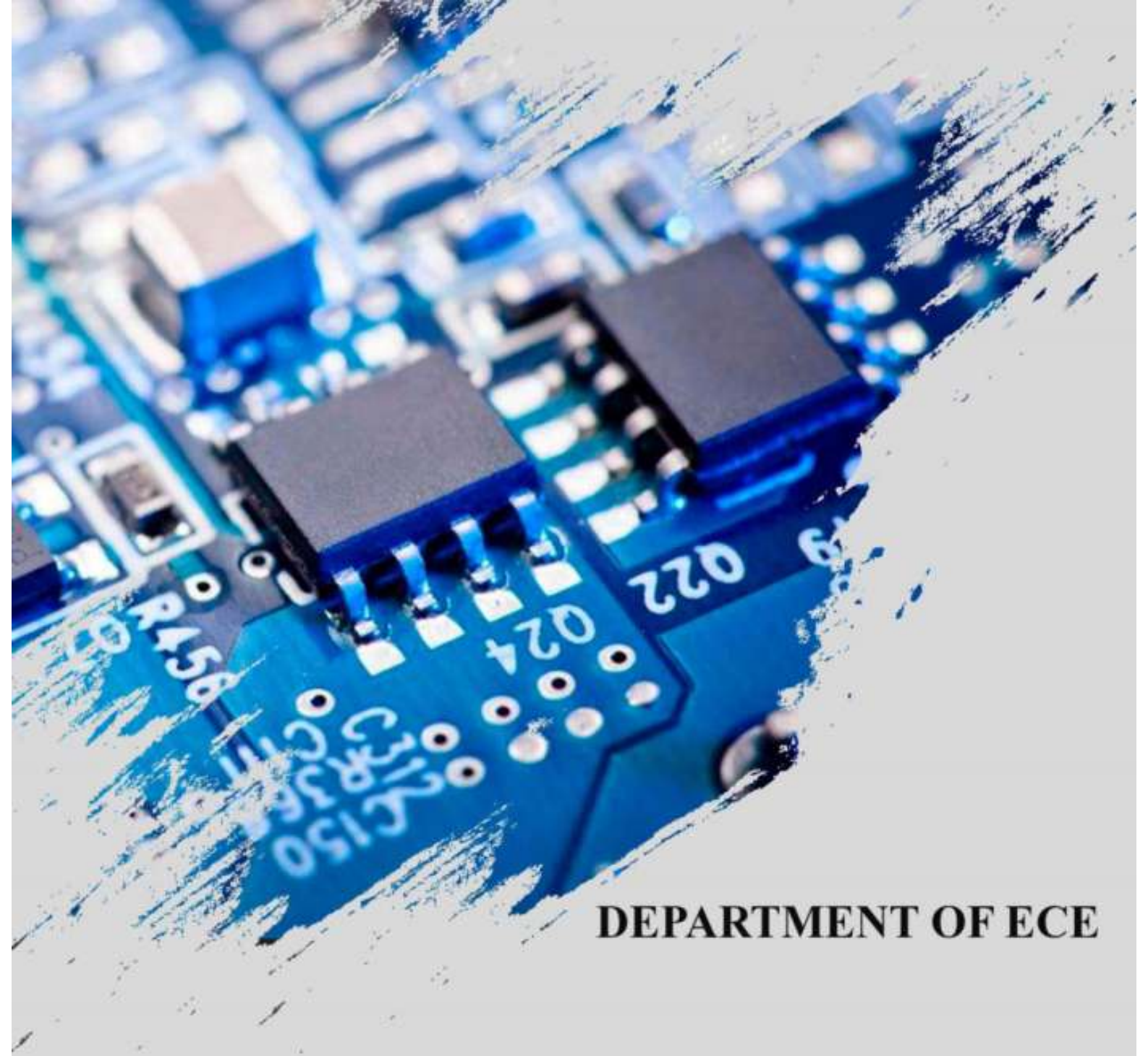
## Guest Lectures Organized

- A one-day Guest Lecture on “INDUSTRIAL AUTOMATION” was organized on 22.09.2022.



The resource person Mr. K.Rakesh addressing the students.





## **DEPARTMENT OF ECE**

Chief Editor : Dr. Archana. S

Faculty Editors : Mrs. Nirmala. J  
Mrs. Kithika. B. T

Student Members : Sivaeswari. M  
Hasan Basari. A  
Sriganth. S