

Trichy-Pudukkottai Road, Trichy-7

NEWSLETTER



ELECTRONICS & COMMUNICATION ENGINEERING

VOLUME-12
ISSUE-02

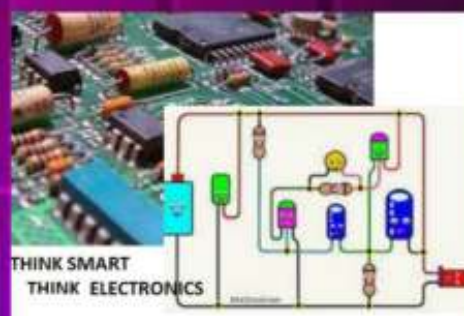


2022-2023

Department of Electronics and Communication

About us

The Department of Electronics and Communication Engineering was established in the year 2001 and since then, the department has been offering full time B.E degree programme. Electronics department has been continuously striving to get updated with the latest trends in the fast-growing technological revolution and the highly skilled and experienced staff along with innovative and motivated students is the backbone behind this. Workshops and symposiums are organized every year to enrich the knowledge of the students. ME VLSI Design Programmed was commenced in 2011 with an intake of 18 students, to specially focus on research and development.



Department Vision and Mission

Vision

- ❖ To be a top-class technical hub in imparting knowledge in cutting edge areas of Electronics and Communication Engineering, providing pleasant learning environment, nurturing scholars of excellent proficiency to meet the global and socio-economic challenges of the country.

Mission

- ❖ To provide remarkable teaching and research environment through state-of-the-art facilities.
- ❖ To strengthen the soft as well as hard skills of students to achieve technical and academic excellence.
- ❖ To raise the students to become responsible citizens with good human values and encourage them to work for the well-being of society.
- ❖ To develop the skills of lifelong learning and professional growth of students through utilization of the high-standard infrastructure facilities.



Er. A MOHAMED YUNUS, B.E., M.Sc., Engg.
Chairman
M.I.E.T. Institutions

CHAIRMAN's MESSAGE

Higher education in our country is undergoing a remarkable transformation. Nowadays, education system is outcome-based rather than the traditional exam-centric one which was followed in our country for centuries. In outcome-based education, the real learning outcomes of students are measured in an objective manner. M.I.E.T. Trichy is a center of learning where young students nurtured in different fields of engineering. Our institution focuses on imparting technical training to encourage curiosity and innovativeness among the students so as to meet the fast-changing needs of the industries. We, M.I.E.T. Engineering College, give importance for importing life and communication skills to our students. Separate trainings on life and communication skills are being given to our students by special trainers. We believe that the education received at our institutions, must translate into excellent career and job prospects for our students. All staff members of our institution work with the motto of bringing our college as one of the premier institutions in our country. We will work, learn and grow together and take the institution to the highest peak in the academic field and maintain the highest standards.



Dr. A NAVEEN SAIT, M.E, Ph.D
Principal
M.I.E.T. Engineering College

PRINCIPAL's MESSAGE

Our goal is to bring changes in the world through education. The college has the privilege of having a healthy, harmonious ambience and rich values. We focus on our students by providing them with a world class outcome based education, hands-on experience through research, training and various student forums. There is a regular monitoring on the implementation of planned academic activities with desired results in grooming our future generation for their career & for higher studies in India and abroad. A research culture has taken shape in the institution through advanced R & D activities. We believe in continuous development and strive to carry on the best efforts and endeavors towards the benefit of students. Our mission is to transform students into rational thinkers, competent engineers, law abiding citizens and spiritually enlightening individuals. This is my firm belief that the rich values and traditions imbibed here would carry the students to greater levels in their life.

Students' participation in in-plant training/conferences/workshops

- Kishore Kumar K , third year student participated in the "Symposium" organized by 'Sona Collge of Technology', Salem
- Sivaleshwari M, Rasika S, final year students participated in the "Conference/Paper Presentation" competition organized by SRM Institute of Science and Technology, Chennai
- Yuvaraja E, Senthil Murugan C, Joshua S, final year students participated in the "Conference/Paper Presentation" organized by Arasu Engineering College, Kumbakonnam
- Syed Jalaludeen I, Senthil Murugan.C, and Joshua S, final year students, participated in the "Conference/Paper Presentation" organized by SRM TRP Engineering College, Trichy
- Yuvaraja E, Syed Jalaludeen I, Arun Kumar R, Senthil Murugan.C, Jegan J and Joshua S, final year students participated in the "Symposium" organized by Care College of Engineering, Trichy

- Charu Ahamed S, Hasan Basari A, of third year students participated in the "Symposium", organized by Mepco Schlenk Engineering College
- Syed Jalaludeen I, Senthil Murugan.C, Joshua S, of final year students participated in the "Conference/Paper Presentation", organized by SRM TRP Engineering College, Trichy

Faculty participation

- Dr. M. Vijai Meyyappan has participated in International Conference organised by SRM Institute of Science and Technology, Kattankulathur
- Dr. S. Archana, has participated in International Conference organised by NIT,Puducherry
- Dr.A.Sureshkumar has participated in International Conference by SRM TRP Engineering College, Trichy
- Dr. Archana S has participated in "3rd One-Week International Workshop on RF & Microwave Components (Online)" Organized By School Of Electronics Engineering (SENSE) at VIT-AP University, Amaravati

Guest Lectures and Workshops Organized

- A Guest lecture was conducted on the topic “Radiation From Cell Phone Tower and Human Health” for our students on 03.02.2023. by **Dr.P.Shahul Hameed** Scientist, Radiation Ecology was the Resource person
- A Guest lecture was conducted on the topic “Image Processing: Fundamentals to Syst Implementation “for our students on 01/03/2023 by **Dr.Deepayan Bhowmik**, Senior Lecturer (Associate Professor) in Data Science, School of Computing, Newcastle University, UK was the Resource person
- A Guest lecture was conducted on the topic “Biomedical Instruments” for our students on 30/03/2023 by **Mr.V.Abishek Raj** HR & Business Administrator, Achievers Live Medical Solutions Private Limited, Tiruchirappalli was the Resource person



IEI inauguration

- The IEI student chapter inauguration was conducted on 26-04-2023, followed by inaugural address by **Dr. S. Karuppasamy**, Committee Member, IEI -Tamilnadu State Center, Former Additional General Manager, BHEL, Trichy.



Placement Details

- Our students got placement in leading software and core companies. Some of them are listed below
 - **Beta Monks Technology**
 - **Foxconn Technology**
 - **Sakthi Auto Component Limited**
 - **Gislen Software**
 - **India - Japan Lighting Pvt Ltd**

Quality Projects



IOT Based Smart Agriculture Monitoring And Control System



AIR AMBULANCE

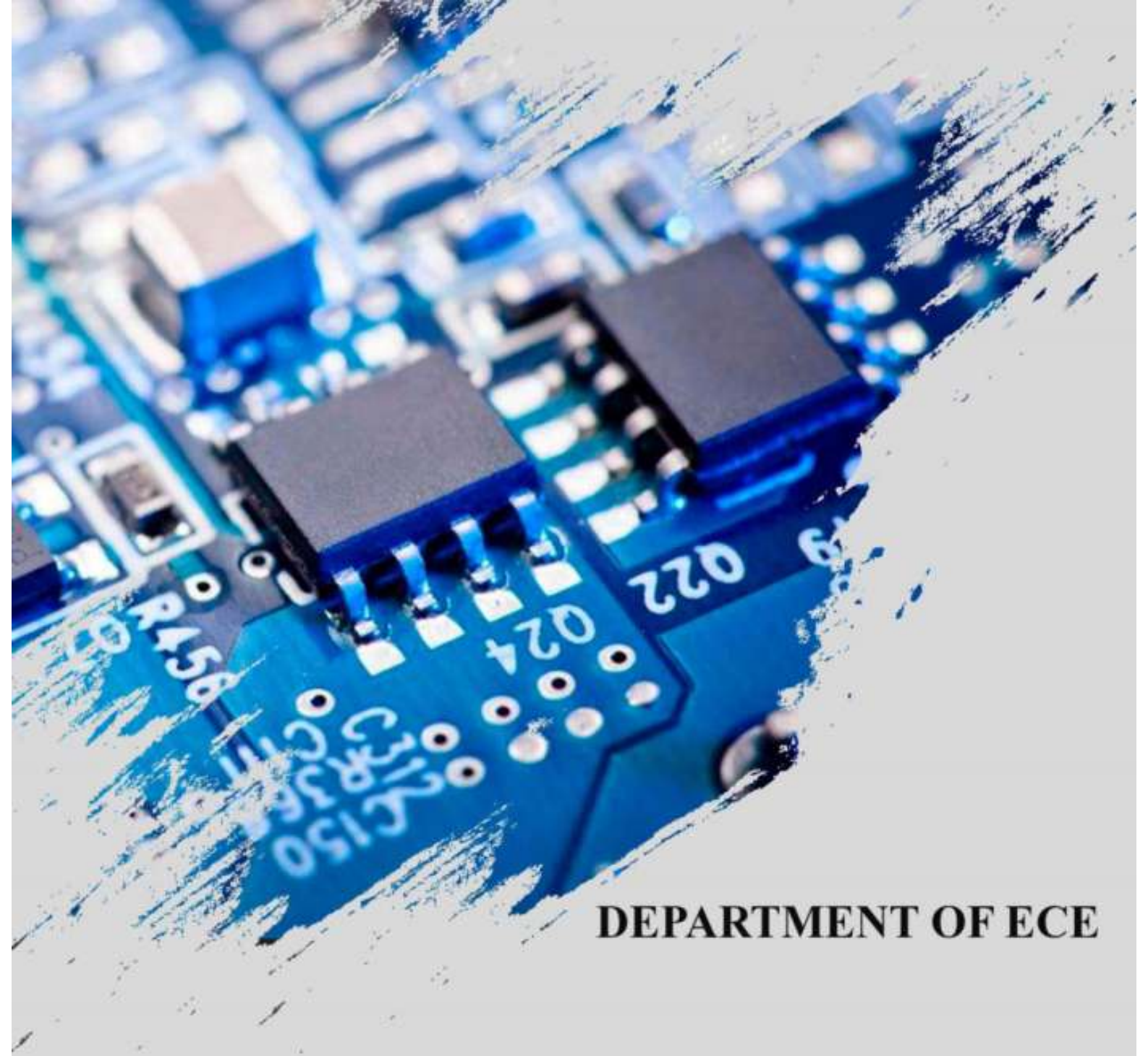
Faculty Publications

- Dr.S.Archana, Assistant Professor, has published a paper on “An Integrated 2.4 GHZ Inductorless power amplifier and On-chip two turn Folded Loop antenna for biotelemetry applications”.
- Dr.S.Saju, Associate Professor, has published a paper on “Investigation of hybrid transform for biomedical image watermarking and extraction using fast ICA”
- Dr.A.Suresh Kumar, Professor, has published a paper on “Congestive heart failure prediction using deep learning”.
- Dr.Sushma, Assistant Professor, has published a journal on “EMSOA based application mapping framework for power optimization in 3D-NoC”.
- B.T.Kirthika, Assistant Professor, has published a paper on “New Design of smart modules for smart Home Applications”.
- N.Dharmaraj, Assistant Professor, has published a journal on “Experimental study on determining stability of RCR(Rope Climbing Robot) used for bore well rescue using k means anomaly method in edge computing”.
- N.Priscilla Villma Manorathi, Assistant Professor, has published a paper on “Experimental study on determining stability of RCR(Rope Climbing Robot) used for bore well rescue using k means anomaly method in edge computing”.

Student Achievements

Mr. Navin Prasanth G, third year student has participated in the “Independence Day Parade at New Delhi”.





DEPARTMENT OF ECE

Chief Editor : Dr. Archana. S

Faculty Editors : Mrs. Nirmala. J
Mrs. Kithika. B. T

Student Members : Sivaeswari. M
Hasan Basari. A
Sriganth. S